



POWER ARCHITECTS

FEATURES

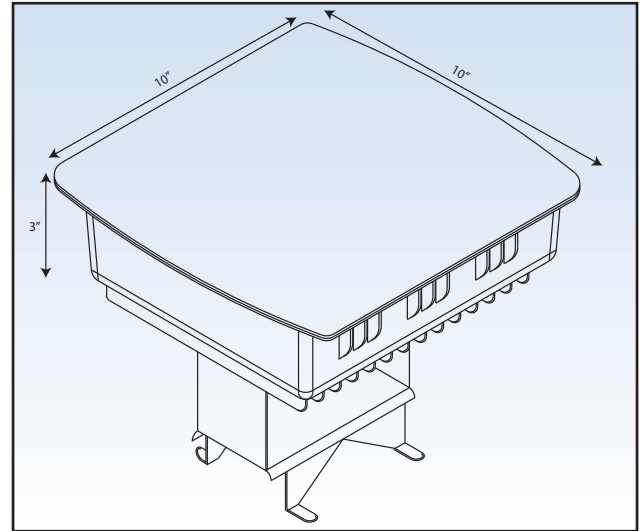
- IP67 Rated Enclosure
- Operating Temperature: -40 to +65 degrees C
- 270 Watts
- Universal Input 90 to 264 VAC
- Output Voltages: 12 to 59Vdc
- Very Low Output Noise/Ripple 0.1% Typical
- Meets MIL-STD-704F
- Meets MIL-STD-461E
- Vibration of MIL-STD-810F

OPTIONS

- Active Load Sharing for N+1 Redundancy
- AC Power Fail Signal
- DC Power Good Signal
- Output Inhibit
- Pole Mounting Brackets
- Custom Connectors Available Per Request

OUTPUT VOLTAGE

Model	
• IP67-12	12V
• IP67-15	15V
• IP67-18	18V
• IP67-24	24V
• IP67-36	36V
• IP67-48	48V
• IP67-59	59V



270 Watt IP67 Water Proof Power Supply

ELECTRICAL SPECIFICATIONS

PARAMETER	LIMITS	CONDITIONS
Input Operating Voltage	90-264 VAC (47-63 Hz) or 100-380 VDC	
Total Output Power	270 Watts	90 to 264 VAC @ -40 to +65 deg.C
Power Factor Correction	>0.99 Meets EN 61000-3-2 Class D	
Conducted EMI	EN 55022 Class A Compliant	
Safety	UL, cUL, TÜV	
Efficiency	85% min.	115 VAC
Inrush Current	45A max.	240 VAC
Undervoltage Lockout	80 VAC typ.	
Hold-Up Time	> 60 mSec.	At Full Load
Power Fail Warning	> 16 mSec.	At Full Load
DC Power Good Signal	-10% at Any Output	Optional
Output Over Current Protection	105-125% of Full Load (Automatic Recovery)	
Output Over Voltage Protection	115-125% of Nominal Output Voltage (Latching)	
Output Over Temperature Protection	67 deg. C Ambient (Latching)	270 W (output)
Output Ripple and Noise	(0.25% or 10mV pk-pk typical)	20 MHz BW, any load
Transient Response	3% or 150 mV (whichever is greater) 250 uSec Recovery to 1% or 50 mV	25% Step Load from 75% to 100% or from 100% to 75%
Regulation	Line 0% Load 0.2% max. Cross 0% Thermal 0.02%/deg. C max.	90 to 264 VAC No Load to Full Load Any Condition -40 to 65 deg. C
Current Share	Optional	
Global Output Inhibit	Isolated TTL input	
Vibration, Operating	15g - RMS, Random, Tri-Axial Vibration for 1 hour	

MECHANICAL SPECIFICATIONS

Cooling:	Convection	
Environmental:	Storage Temperature:	-40 to 85 deg. C
	Operating Temperature:	-40 to 75 deg. C (A Sunshade is Recommended if Subject to Direct Sunlight)
	Humidity:	5 to 95% non-condensing
Dimensions:	3" x 10" x 10"	
Weight:	7 lbs.	