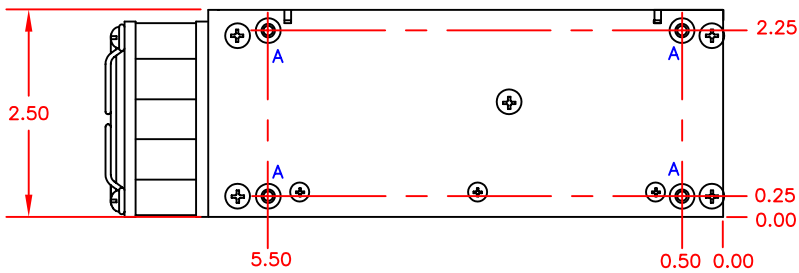
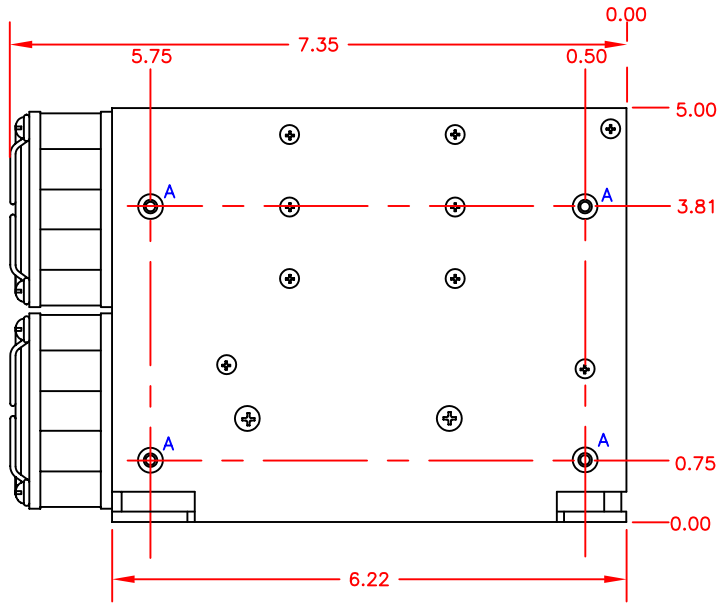
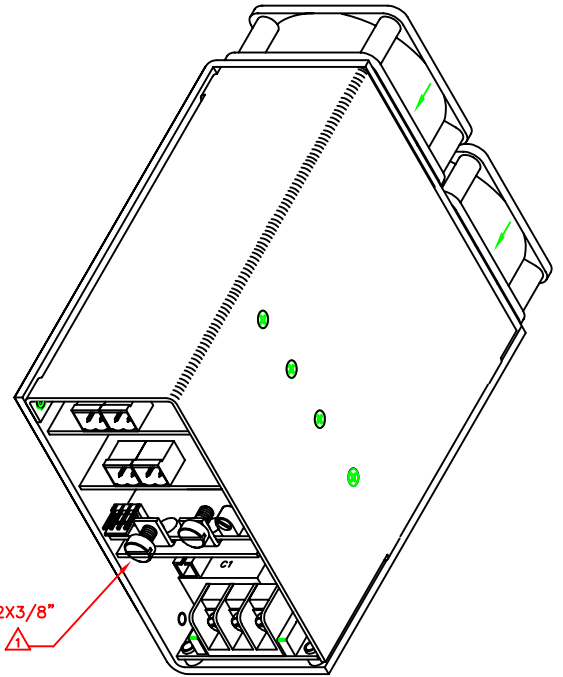


# Power Architects XUP Series



SCREW, PAN SLOT 10-32X3/8"  
ANSI B18.13 EXT. TOOTH



**NOTES:**

 TORQUE TO 5 INCH-POUNDS MAX.

HOLE CHART		
SYMBOL	DESCRIPTION	QTY
A	8-32 THRU (SCREW PENETRATION 0.25 MAX.)	8

## 3UP Model