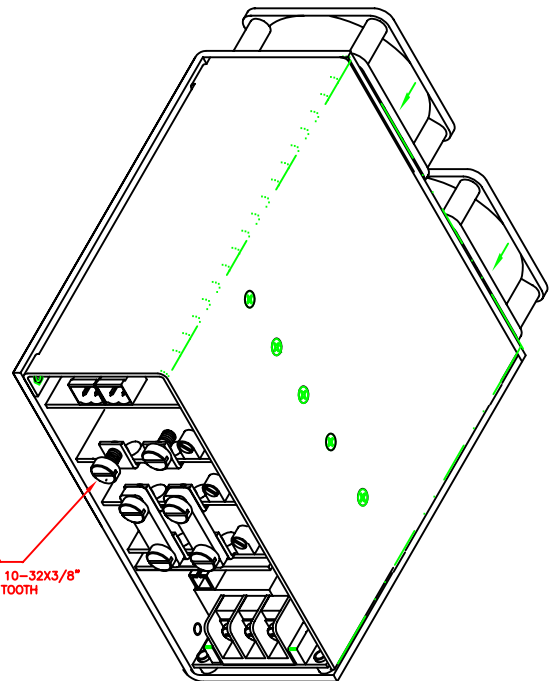
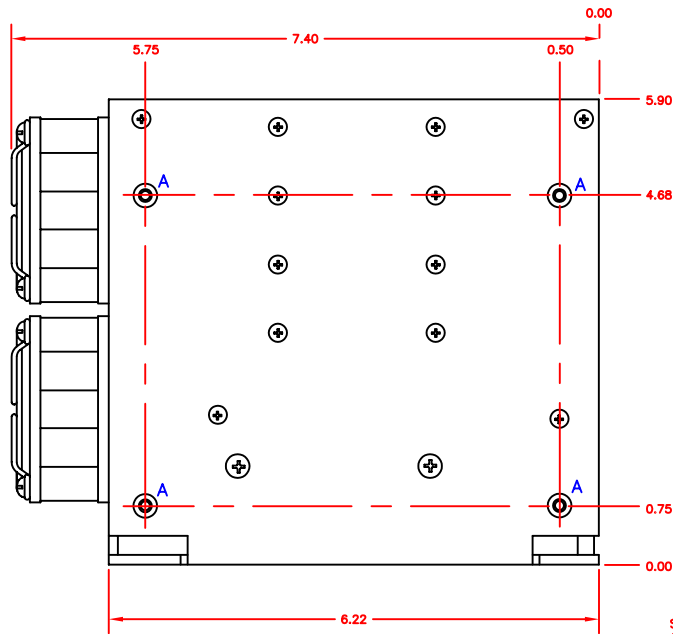


Power Architects XUP Series



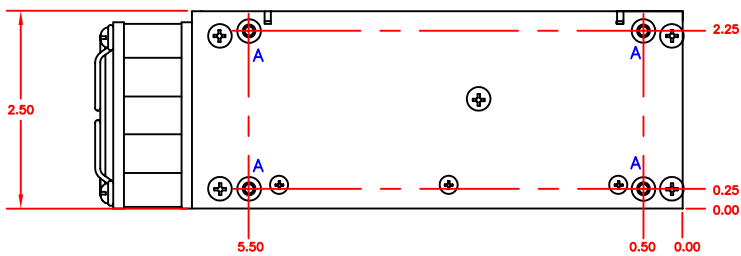
SCREW, PAN SLOT 10-32X3/8"
ANSI B18.13 EXT. TOOTH

NOTES:

TORQUE TO 5 INCH-POUNDS MAX.

HOLE CHART

SYMBOL	DESCRIPTION	QTY
A	8-32 THRU (SCREW PENETRATION 0.25 MAX.)	10



4UP Model